

Industrial Butterfly Valve Series 20208

Allvalves™ Wafer Butterfly Valve CI/SS/EPDM

ALLVALVES
ONLINE

Main Features :-

- WRAS Approved upto 12"
- Cast Iron Body
- Stainless Steel Disc
- EPDM liner
- ISO 5211 Direct Mount
- Lockable Lever (option of Gearbox)
- PN10/16 and ANSI 150 flanges (check with sizes above 16"



TYPE: BUTTERFLY VALVE

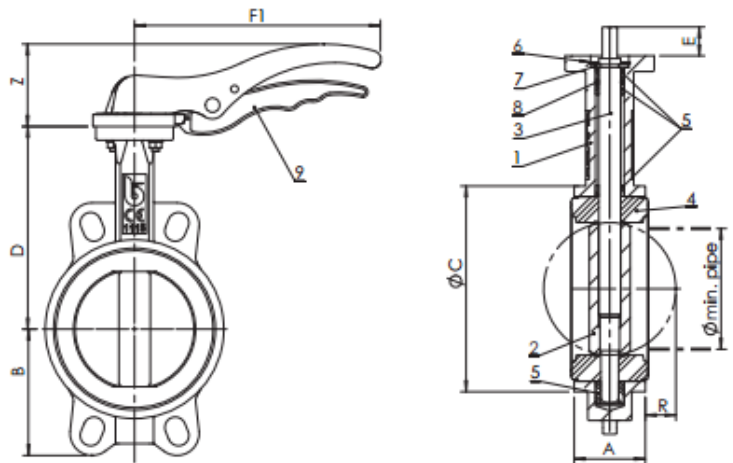
Dimensional Drawing:-

Pressure/Temperature

Pressure	1½" to 12"	PN16
	14" to 24"	PN10
Temperature	-10°C to 120°C	

Material List

Body	Epoxy Coated Ductile Iron
Disc	Stainless Steel
Liner	EPDM
Shaft	Stainless Steel
Bushing	PTFE
Washer	Galvanized Carbon Steel
Circlip ISO 3075	Steel
O-Ring	Viton
Lever	Aluminium upto 6" Ductile Iron 8" and above
Bolts	Galvanized Carbon Steel



Dimensions

Size	A	ØC	D	B	F1	Z	R	Ø min pipe
1½"	33	82	116	63	170	50	5	27
2"	43	89	126	62	170	50	5	31
2½"	46	102	136	69	170	50	9	45
3"	46	118	150	90	206	69	17	65
4"	52	150	170	106	206	69	26	90
5"	56	174	180	119	285	90	34	110
6"	56	205	200	131	285	90	50	146
8"	60	260	230	166	400	72	71	194
10"	68	318	266	202	530	72	91	241

Operating Torque Figures

DP (Bar)	25	32	40	50	65	80	100	125	150	200	250	300	350	400	450	500	600
3	2.9	4.7	7.8	11.3	17	23	33	48	68	120	189	290	298	481	930	1250	2270
6	3.1	5.1	8.4	12	18	25	36	54	78	134	212	316	347	551	980	1350	2500
10	3.3	5.4	8.8	13	20	26	40	61	88	148	234	342	396	396	1200	1500	2700
16	3.4	5.7	9.2	13	21	28	44	68	99	162	257	367	-	-	-	-	-

ISO 9001:2015 Accredited Company

Tel: +44(0)1386 552369

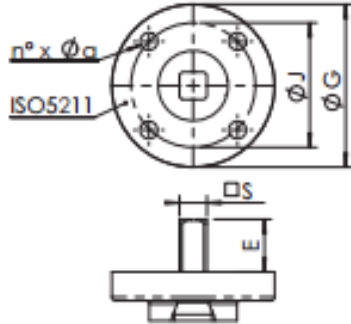
Fax: +44(0)1386 554227

sales@allvalves.co.uk

www.allvalves.co.uk

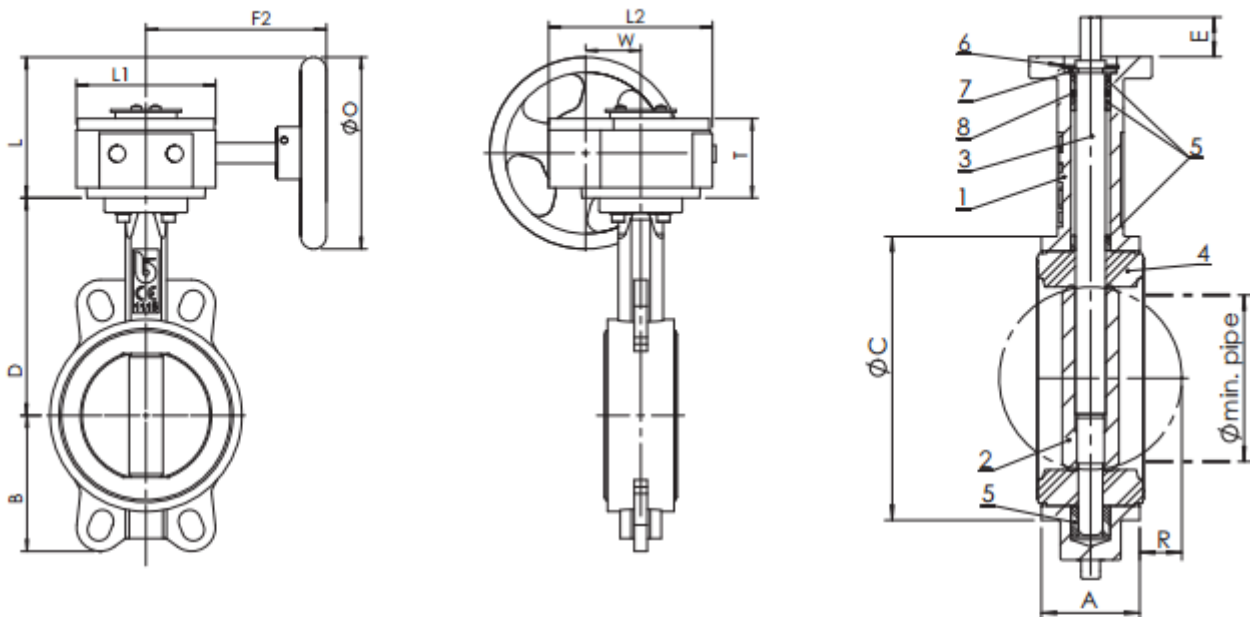
Allvalves Online Ltd, Automation House, Unit 2, Pershore, WR10 2DF UK

Dimensional Drawing:-



Dimensions						
Size	ISO	ØG	ØJ	n° x Øq	S	E
1½"	F05	65	50	4 x 7	9	21
2"	F05	65	50	4 x 7	9	21
2½"	F05	65	50	4 x 7	9	21
3"	F05	65	50	4 x 7	11	21
4"	F05	65	50	4 x 7	11	21
5"	F07	90	70	4 x 9	14	27
6"	F07	90	70	4 x 9	14	27
8"	F10	125	102	4 x 11	17	27
10"	F12	150	125	4 x 13	27	27

1½" to 10" Gearbox Operated



Dimensions													
Size	A	ØC	D	B	F2	L	T	L1	L2	W	ØO	R	Ø min pipe
1½"	33	82	116	63	170	102.5	65	110	130	45	150	5	27
2"	43	89	126	62	170	102.5	65	110	130	45	150	5	31
2½"	46	102	136	69	170	102.5	65	110	130	45	150	9	45
3"	46	118	150	90	170	102.5	65	110	130	45	150	17	65
4"	52	150	170	106	170	102.5	65	110	130	45	150	26	90
5"	56	174	180	119	170	102.5	65	110	130	45	150	34	110
6"	56	205	200	131	170	102.5	65	110	130	45	150	50	146
8"	60	260	230	166	235	190	78	155	176	63	300	71	194
10"	68	318	266	202	226	190	80	170	195	81	300	91	241

ISO 9001:2015 Accredited Company

Tel: +44(0)1386 552369

Fax: +44(0)1386 554227

sales@allvalves.co.uk

www.allvalves.co.uk

Allvalves Online Ltd, Automation House, Unit 2, Pershore, WR10 2DF UK

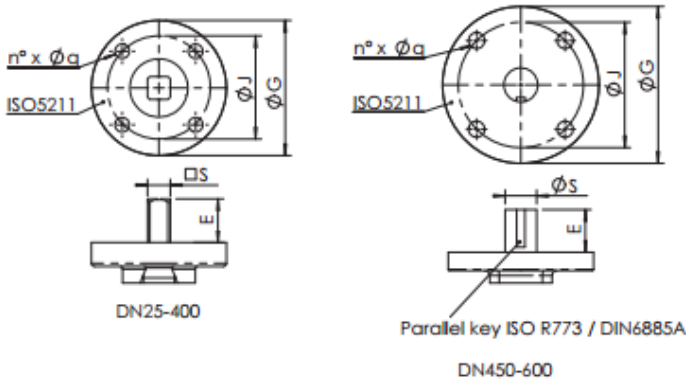
TYPE: BUTTERFLY VALVE

Industrial Butterfly Valve Series 20208

Allvalves™ Wafer Butterfly Valve CI/SS/EPDM

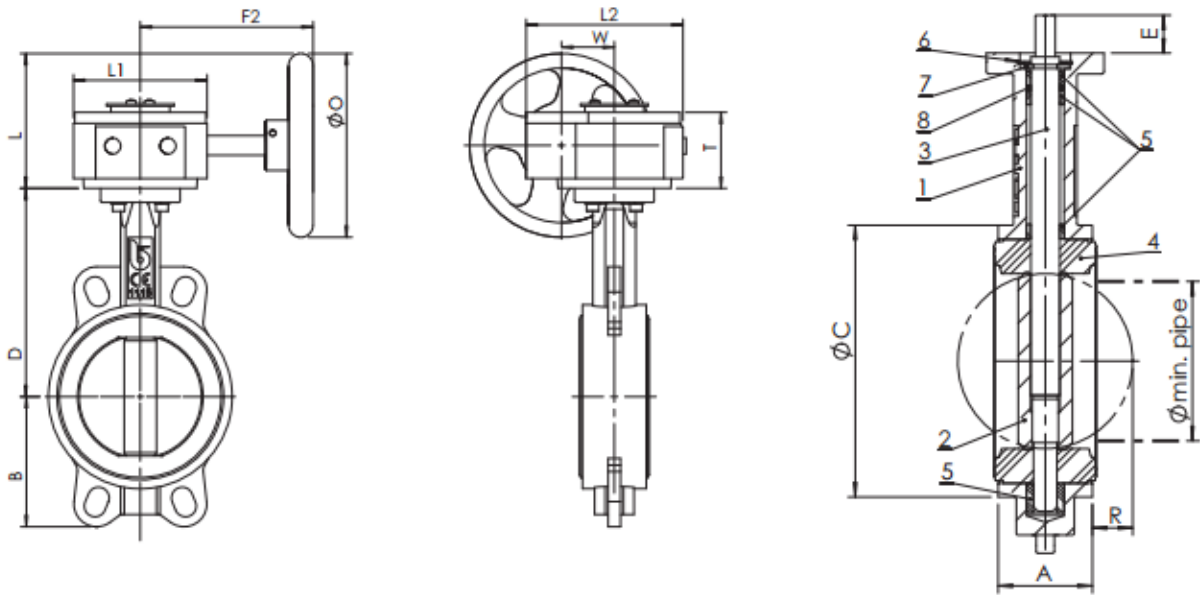


Dimensional Drawing:-



Dimensions							
Size	ISO	ØG	ØJ	n' x Øq	S	E	ØS
12"	F12	150	125	4 x 13	27	27	
14"	F12	150	125	4 x 13	27	27	
16"	F12	150	125	4 x 13	27	27	
18"	F14	175	140	4 x 18		51.2	38
20"	F14	175	140	4 x 18		64.2	41.15
24"	F16	210	165	4 x 22		70.2	50.65

12" to 24" Gearbox Operated



Dimensions													
Size	A	ØC	D	B	F2	L	T	L1	L2	W	ØO	R	Ø min pipe
12"	78	376	292	235	226	190	80	170	195	81	300	112	291
14"	78	406	335	257	226	190	80	170	195	81	300	128	324
16"	102	471	360	292	226	190	80	170	195	81	300	144	379
18"	114	539	422	318	216	183	80	151	188	80	285	163	428
20"	127	594	480	355	256	311	125	214	275	168	285	182	475
24"	154	695	562	444	285	386	136	262	324	293	385	219	573

ISO 9001:2015 Accredited Company

Tel: +44(0)1386 552369

Fax: +44(0)1386 554227

sales@allvalves.co.uk

www.allvalves.co.uk

Allvalves Online Ltd, Automation House, Unit 2, Pershore, WR10 2DF UK

TYPE: BUTTERFLY VALVE