

Main Features :-

- German made switchbox
- Direct mounting no bracket
- Visual indicator for open / close
- Ibox brand
- Conduit entry
- ATEX option
- ASI option

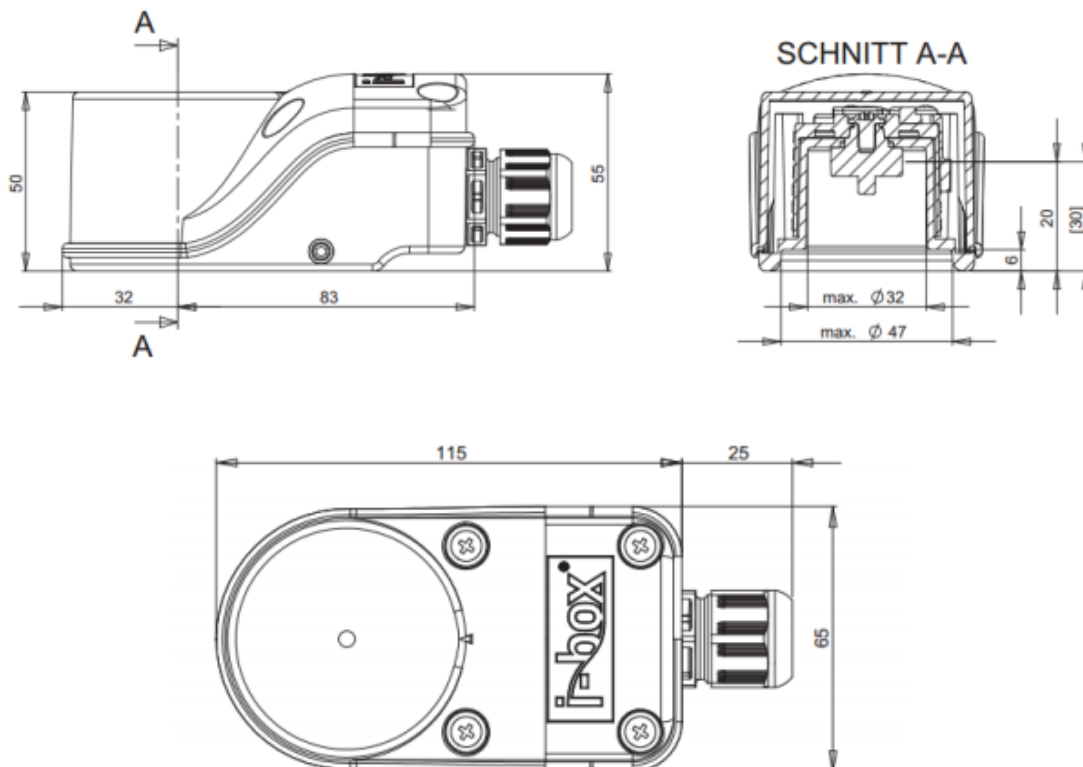


i-box®

TYPE: SWITCH BOX

Additional Technical Specification:-

- Very compact limit switch box polyamide PA6
- Transparent polycarbonate cover with integrated large OPEN-CLOSED indicator
- Direct mounting without mounting bracket on actuators according to VDI/VDE 3845:
Hole spacing: 80 x 30mm (optional: 130x30mm, 50x25mm - with IMBHV bracket)
Shaft heights: 20 or 30mm (optional: 40 and 50mm - with IMBHV bracket)
- New, easy and time-saving fastening system
- Enclosure IP66 + IP67 according to DIN EN 60529 (tested by external test laboratory)
- Cable gland M20x1,5 black (for cable Ø 6-12mm)
- Sealings TPE and NBR, Screws AISI 304, Shaft polyamide PA6
- Other colours of casing available on request
- Application: Standard applications without explosive atmosphere.
1-2 mechanical switches or proximity sensors in V3 design



ISO 9001:2015 Accredited Company

Tel: +44(0)1386 552369

Fax: +44(0)1386 554227

sales@allvalves.co.uk

www.allvalves.co.uk

Allvalves Online Ltd, Automation House, Unit 2, Pershore, WR10 2DF UK