



Main Features:-

- ◆ Stainless steel full port ball valve, 3 pcs
- ◆ 1/2" to 4" PN25
- ◆ Made of stainless steel 1.4408 (CF8M)
- ◆ Working Temperature -25 to +180C *
- ◆ Clamp Ends

*Temperature and pressure determined by valve body, seat etc.



Suitable Applications & Approvals:



HVAC



OIL



GAS



INDUSTRY

SERIES: 80070

MANUFACTURER: **GENEBRE**

VALVE MATERIALS & DIMENSIONS

ITEM	SECTION	MATERIAL	ADDITIONAL INFO / OPTIONS	ALL VALVES
1	Body	SS 1.4408	Electro polished	Offering a full range of actuated valve packages, manual valve range, pipe fittings and pumps, we have a product for all your requirements. As an ISO 9001-2015 Quality Approved and certified company, All Valves offer a quality service from pre-sale to post sale. Shipping millions of pounds in value of manual valve and actuated valve packages all over the world since its formation, All Valves are a trusted valve and actuator supplier to many companies all over the world. Working with the leading brands in most industries.
2	Cap	SS 1.4408	Electro polished	
3	Ball	SS 1.4408	Polishing	
4	Ball Seat	PTFE	Spare Part Code 2912	
5	Bolt	ASTM A193-B8	n/a	
6	Stem	AISI 316	n/a	
7	Gasket	PTFE	Spare Part Code 2912	
8	Thrust Washer	PTFE	Spare Part Code 2912	
9	Stem Packing	PTFE	Spare Part Code 2912	
10	Washer	PTFE +S.S.	Spare Part Code 2912	
11	Stem Ring	AISI 304	n/a	
12	Belleville Was.	AISI 301	n/a	
20	Nut	ASTM A194-8	n/a	
21	O'Ring	FKM	Spare Part Code 2912	

REF	SIZE	H1	Ød	ØB	H	L	h	W	Kg
80070-04	1/2"	72	9.5	25.4	42	90	9	145	0.69
80070-05	3/4"	77	15.8	25.4	48.5	90	9	145	0.944
80070-06	1"	88	22.2	50.5	58.5	100	11	175	1.44
80070-08	1 1/2"	105.5	34.9	50.5	70.3	125	14	190	2.898
80070-09	2"	123	47.6	64	77.7	150	14	190	4.355
80070-10	2 1/2"	150	60.3	77.5	100	190	17	260	8.85
80070-11	3"	159	72.9	91	108	220	17	260	14.2
80070-12	4"	198	97.6	119	140	270	22	400	19.9



T +44 (0)1386 552369

E sales@allvalves.co.uk

W www.allvalves.co.uk

F +44 (0)1386 554227



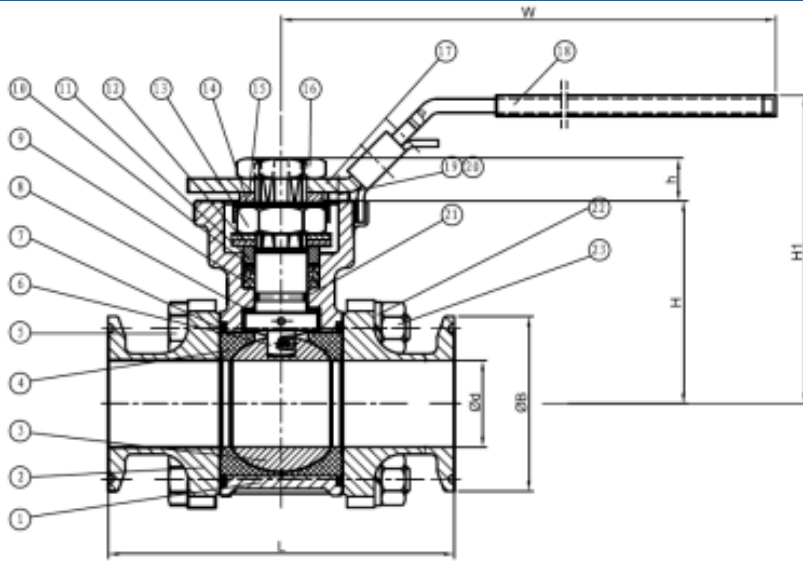
Genebre are a global brand of industrial valves with large stocks held for fast delivery on various type of valves, sizes, end connections and materials.

SERIES: 80070

GENEBRE

Genebre is a leading company and world reference in fluid control and high-quality taps. They control all the creation processes, responding to the specific needs of each market: from the initial concept and design of the product to the production and commercialization.

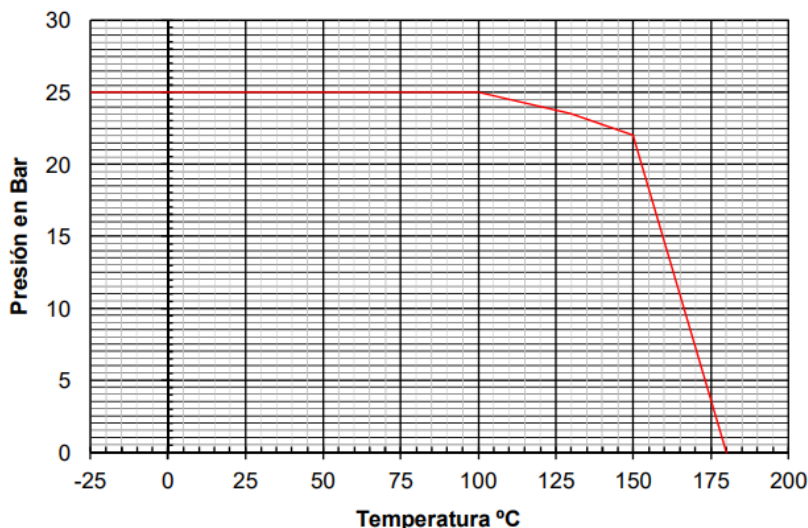
In the Industrial line of Genebre products you will find a wide range of industrial valves and their accessories, sanitary line valves, automated valves and control valves, stainless steel fittings, different elements for industrial instrumentation and all spare parts for valves sphere.



TORQUE / Kv VALUES / PRESSURE & TEMP CHART

REF	SIZE	TORQUE Nm	REF	SIZE	Kv	TORQUE :
80070-04	1/2"	4-5	80070-04	1/2"	11	<ul style="list-style-type: none"> - The liquid listed in the table are initial breakaway torques, taken with liquids and lubricant media. - Please regard these as approximate values, as the objective value on different factors like pressure, medium, rubber,
80070-05	3/4"	7-8	80070-05	3/4"	15	
80070-06	1"	9-10	80070-06	1"	41	
80070-08	1 1/2"	18-20	80070-07	1 1/4"	103	
80070-09	2"	28-30	80070-08	1 1/2"	163	
80070-10	2 1/2"	34-36	80070-09	2"	386	
80070-11	3"	58-60	80070-10	2 1/2"	514	
80070-12	4"	90-95	80070-11	3"	973	

PRESSURE AND TEMPERATURE CHART



ALL VALVES

AllValves Online™ have used decades of experience in the valve industry to select a range of products that match the Allvalves Online ethos - value for money. All Valves Products are from reputable sources and have been sold in significant quantities for many years, are installed in a wide variety of applications, and are known to be durable in service.



T +44 (0)1386 552369

E sales@allvalves.co.uk

W www.allvalves.co.uk

F +44 (0)1386 554227