



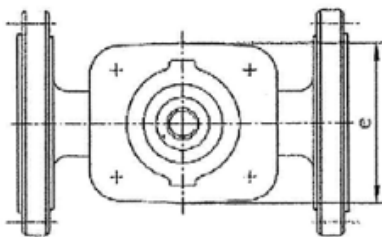
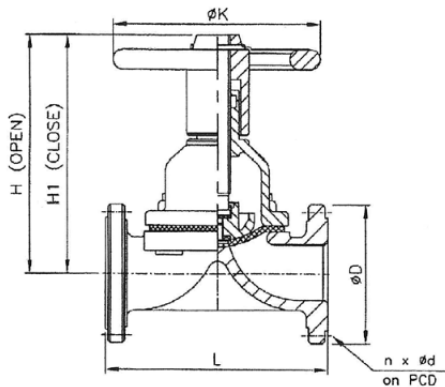
DIAPHRAGM VALVES

WEIR TYPE STRAIGHT THROUGH DIAPHRAGM VALVE - UNLINED PN10/16

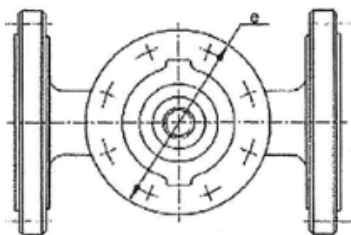


SPECIFICATIONS

1	Ductile Iron Body GGG40
2	Natural rubber diaphragm
3	Ends flanged to PN10/16
4	Hand wheel operated
5	Temperature range - 40°C to +100°C
6	Pressure rating - DN 15mm - 50mm 16 Bar
7	Pressure rating - DN 65mm - 150mm 10 Bar
8	Pressure rating - 200mm 6 Bar
9	Diaphragm available in different materials - call for info



Size: DN 15 to DN 80



Size: DN 100 to DN 300

DIMENSIONS

EN-558-1 S7 (BS 5156)

DN	L	Kg	H (open)	H1 (closed)	ØK	e
15	108	2.30	109	103	100	52
20	117	3.20	117	109	100	67
25	127	4.20	140	130	120	75
32	146	6.40	143	131	120	88
40	159	7.50	172	152	120	110
50	190	12.0	190	166	164	127
65	216	18.0	230	195	220	146
80	254	23.0	242	202	240	188
100	305	34.0	326	275	270	Ø230
125	356	50.0	391	326	270	Ø260
150	406	69.0	468	390	360	Ø320
200	521	150.0	680	560	460	Ø420
250	635	220.0	802	657	600	Ø502
300	749	300.0	971	796	700	Ø569

- Approx. Weight in kg, based on Ductile Iron body material
- Dimensions in mm, only orientative. Arrangement drawings for approval on request