



AVOL Model J3-2200 Motorised Brass Ball Valve

Electrically operated 2 way 316SS ball valve

Full bore 2 way 2 piece 316 stainless steel ball valve, designed for automation with integrally cast ISO5211 actuator mounting platform fitted with direct mounted J3 electric actuator. Supplied assembled and dry bench function tested. Full size range from 1/4" to 4".



Code	Function
J3-2203	Standard power to open - power to close - Stays put on mains failure
J3-2204	Failsafe BSR - Battery Spring Return - Fails to safe position using an internal battery
J3-2205	Modulating DPS - Digital Positioning System

Applications

Water, oil and many corrosive medias, subject to compatibility with wetted parts in contact with media. Actuators sized on a maximum differential pressure of 10 bar wet service, if the intended duty is above this differential, or dry (air or gas) call to check actuator sizing as a larger output actuator may be required.

Maximum working temperature of assembly is +70C. If the intended duty is a higher temperature than this, select model J3-2210 which has a mounting kit between the valve and actuator which uses air cooling to dissipate the heat away from the actuator (maximum +130C).

Valve Specification

Body	CF8M Cast 316SS
Ball	CF8M Cast 316SS
Seats	RTFE
Pressure rating	UTI 2" 1000psi CWP
Valve temp limits	-20 to +200°C
Actuator temp limits	-20 to + 70°C



Quick guide to the J3 electric actuator standard features :

Highly visible LED light gives continuous actuator status indication.

J3 L - 12-24V AC/DC
J3 H - 80-240V AC/DC

Multi-voltage capable with auto-voltage sensing:

Torque output: range:
25-95Nm Break
20-80Nm Reset

Electronic torque limiter
Protects against valve jams

Anti-condensation heater

Manual override

All connections via external DIN plugs ~ no need to remove cover to connect

Volt free end of travel confirmation switches

IP65 weatherproof housing

CE marked

Traceable sequential serial numbering system

Optional failsafe kit (Battery Back-up) - actuator fails to safe position on power failure

Optional modulating kit with digital positioning system, either 0-10V or 4-20mA

J3 Actuator status light basic function:

Constantly lit LED	The LED flashes with 2 blinks	The LED flashes on/ off
If the actuator is operating correctly with no faults, the LED shows a constantly lit light.	If the actuator has been left in 'manual' mode, the actuator's motor runs but doesn't drive the output shaft. After a pre-set time, the actuator knows that as the torque limiter has not activated and that the motor is running, it is in manual.	When the actuator senses an impending valve jam, the electronic torque limiter is activated and on activation, repeatedly flashes the LED on and off.

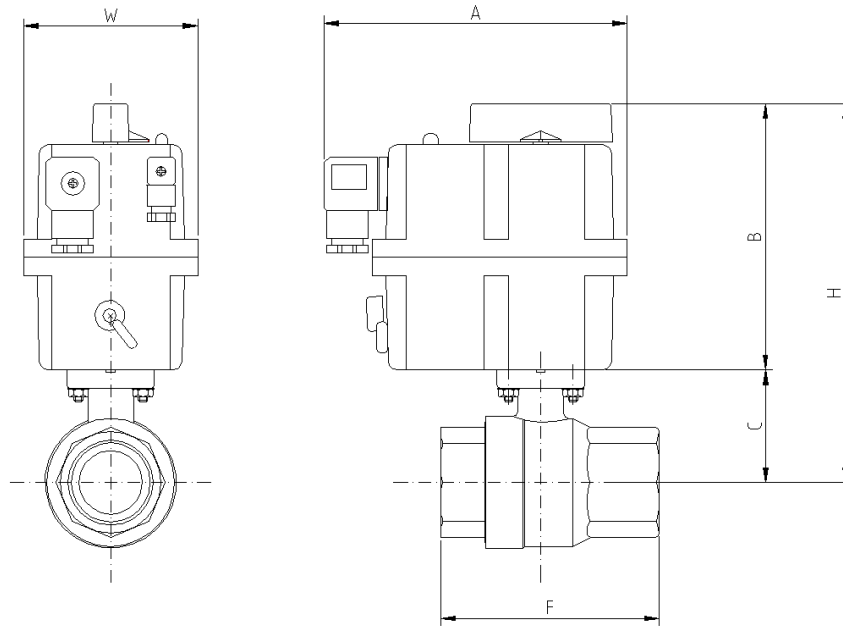




AVOL Model J3-2200

DIMENSIONS

Electrically operated 2 pce stainless steel ball valve - Dimensions (to nearest mm)



Dimensions remain unchanged for all versions (on-off, failsafe & modulating)

	Model	A	B	C	F	H	W	Kilos	Kv
1/4"	20	177	149	39	65	188	110	2.1	6.8
3/8"	20	177	149	39	65	188	110	2.1	6.8
1/2"	20	177	149	39	65	188	110	2.1	12.8
3/4"	20	177	149	47	75	196	110	2.1	29.1
1"	20	177	149	57	88	206	110	2.6	47.8
1 1/4"	20	177	149	61	102	210	110	3.0	72.6
1 1/2"	35	177	171	78	110	249	110	4.4	106.8
2"	35	177	171	86	125	257	110	5.4	213.7
2 1/2"	55	177	196	109	161	305	110	9.4	273.3
3"	85	177	196	118	178	314	110	12.4	495.3

Kv is in m³/hr, based on water at ambient temperature with a 1 bar pressure drop across the valve

Subject to alteration without notice. Uncontrolled copy, not subject to automatic updates