



Overview:

Our Hidroten 3 way PVC ball valve fitted with our choice of electric actuator offers a very compact and competitive 3 way PVC actuated valve solution, we can offer the valve from 1” through to 3” and we can offer in a variety of control options including on/off, modulating and failsafe, various voltages, valve ends and seats and seals.



Specifications:	
1	Valve is PVC and available from 1” to 3”
2	Available in imperial plain ends, metric ends or BSP
3	Actuator voltage can be 24v,110v,230v or 3ph.
4	Actuator can be on/off, modulating, failsafe
5	Available in ABS, PP or CPVC via the FIP brand of valve
6	Supplied assembled and dry bench function tested
7	Actuators and valves stocked for next day delivery

Actuator Options:

J+J electric actuators

A plastic housed IP67 electric actuator available in Low Voltage 24VAC/DC or high voltage 80-240v with on/off function, failsafe via battery spring return system, modulating control via 0-10v or 4-20ma.

Sun Yeh actuators

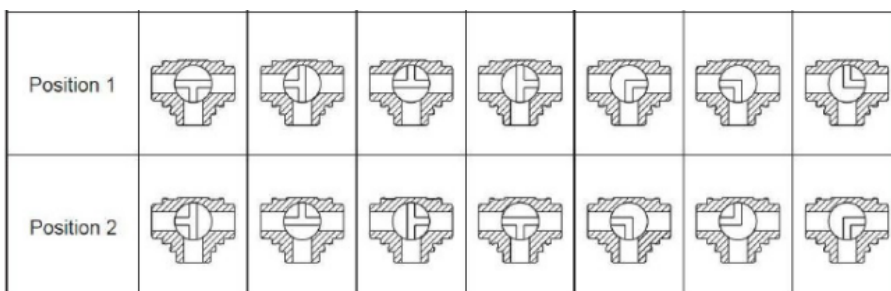
Sun Yeh aluminium housed electric actuator IP67 available as on/off or modulating.

AV Actuator

New compact range of electric actuators, shown above as the orange housed actuator. This unit is available in low or high voltage the same as the J+J but offered high accuracy modulating control, OLED output display screen showing you the signal sent to the actuator and the position of the actuator. The AV actuator also has local control, speed control and many other features.

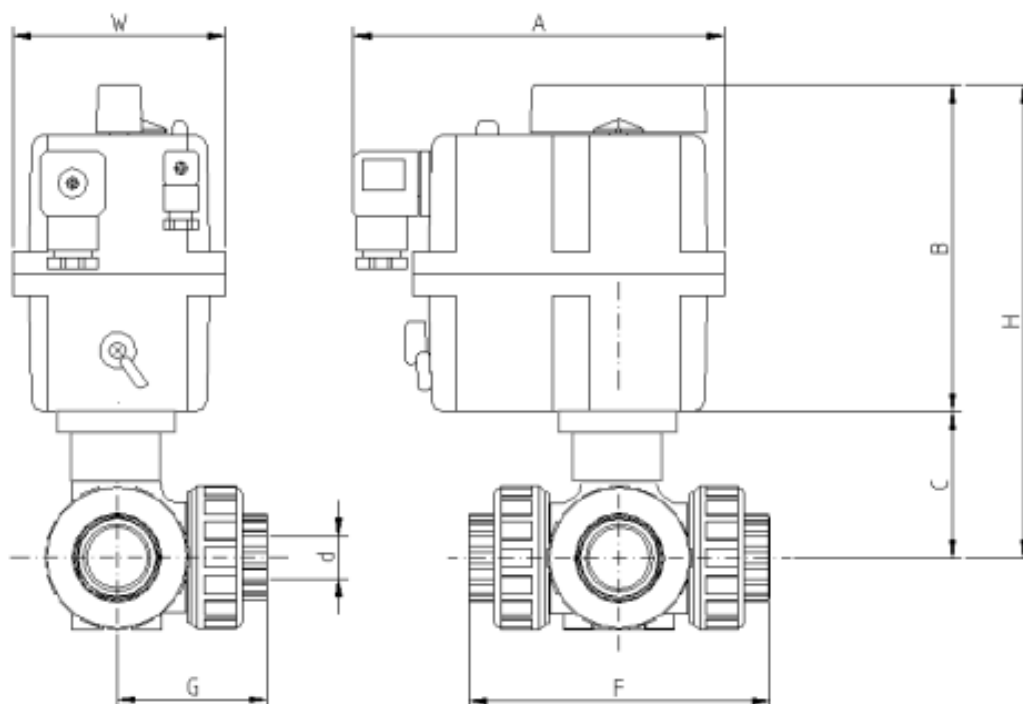
Valve Overview

Hidroten PVC 3 way ball valve, full bore (except DN80 which has a DN65 bore) EPDM or VITON seals. Available in imperial plain end, metric plain end or BSP screwed ends.





Typical Dimensions:



Note that dimensions and above image show a generic PVC valve and the J+J actuator. For exact dimensions for your specific requirement, call the office for confirmation of dimensions. The following codes are based upon standard 3 way valve with imperial plain ends, PTFE/EPDM.

Code	Size	DN	Overall Length
L Port Ball Valves			
94413xx-06	1"	25	160mm
94413xx-08	1 1/2"	40	148mm
94413xx-09	2"	50	179mm
94413xx-10	2 1/2"	65	185mm
94413xx-11	3"	65	195mm
T Port Ball Valves			
94513xx-06	1"	25	160mm
94513xx-08	1 1/2"	40	148mm
94513xx-09	2"	50	179mm
94513xx-10	2 1/2"	65	185mm
94514xx-11	3"	65	195mm

To complete your code "xx", select from the following			
Code	Function	Code	Voltage
1	On/Off	1	24VAC/DC
2	Failsafe N/Closed	2	24VAC
3	Modulating 0-10v	3	24VDC
4	Modulating 4-20mA	4	110V
5	Modulating Failsafe N/C	5	220V



J3 Series Smart Electric Actuator

Function options:

J3 ON-OFF ELECTRIC ACTUATOR

Standard function

Power open, power close. Stays put on loss of external power. Power remains on at all times.

J3 FAILSAFE ELECTRIC ACTUATOR

Fails to pre-set position on loss of external power

Power open, power close, fails to pre-set 'safe' position on loss of external power using internal industrial trickle charged rechargeable NiCad battery. Can be set to fail close (NC or normally closed) or fail open (NO or normally open) on loss of external power. The failsafe electric actuator moves to the position command applied at the time external power is restored.

J3 MODULATING ELECTRIC ACTUATOR

Movement proportional to input signal

Power is applied continuously. Movement of valve actuator is then controlled by an internally fitted digital positioner and is proportional to changes supplied in an input control signal. This input signal is typically 0-10VDC, or 4-20mA. An output signal is supplied as standard providing closed loop control. Fails closed on loss of control signal (or see configuration options below), stays put on loss of external power.

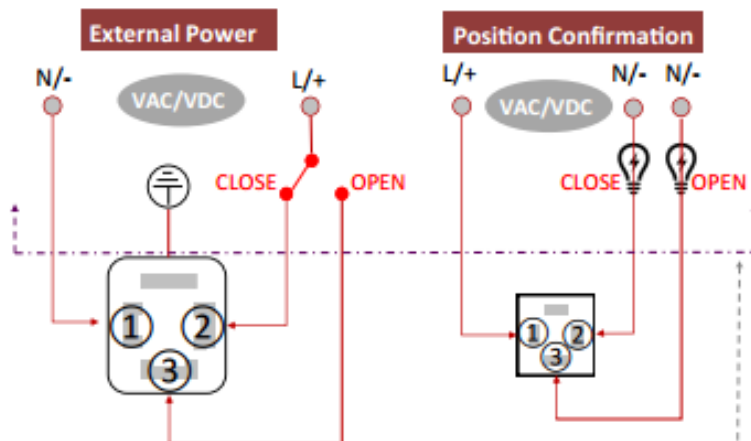
Configuration options:

- 1) Closes on loss of control signal
- 2) Opens on loss of control signal
- 3) Stays put on loss of control signal

Electrical Connection - wiring

In J+J electric actuators all electrical connections are made externally using the external DIN plugs supplied with the actuator. There is no need to remove the valve actuator's cover to connect electrically. There are no terminals internally to connect to.

J3 ON-OFF & FAILSAFE WIRING (Same connection for either)



Note: Above line above is customer supplied

J3 MODULATING WIRING

