



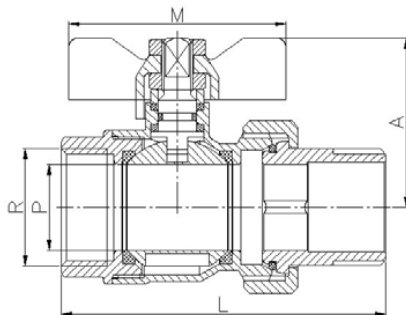
BRASS VALVES

GENEBRE PART: 3046 FULL BORE M x F UNION BALL VALVE BSP, THUMB GRIP LEVER (BLUE)



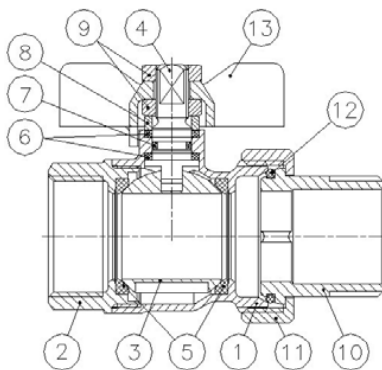
SPECIFICATIONS

1	Material: Brass
2	Threaded ends according to ISO228/1
3	Max working pressure 25 Bar at ambient temp
4	Max Temperature + 180°C
5	Full bore
6	Bi-directional flow
7	Hand operated with BLUE aluminium thumb grip handle



DIMENSIONS

AVOL REF	SIZE mm	A mm	L mm	M mm	Wt Kg
3046 04	1/2"	36	69	50	0.18
3046 05	3/4"	44	76	62	0.30
3046 06	1"	48	92	62	0.49
3046 07	1 1/4"	57	106	78	0.71



MATERIALS

1	Chrome plated brass
2	Chrome plated brass
3	Chrome plated brass
4	Chrome plated brass
5	PTFE
6	PTFE
7	NBR
8	Chrome plated brass
9	Chrome plated brass
10	Chrome plated brass
11	Chrome plated brass
12	NBR
13	Painted Aluminium