



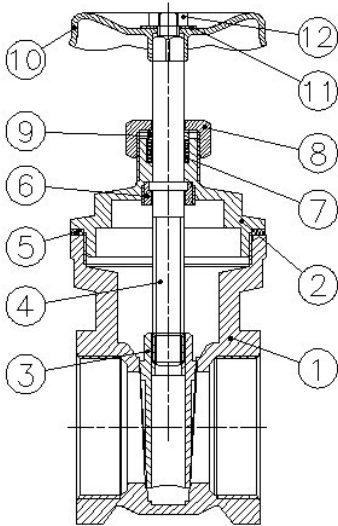
BRASS VALVES

GENEBRE PART: 3222 BRASS GATE VALVE, NPT



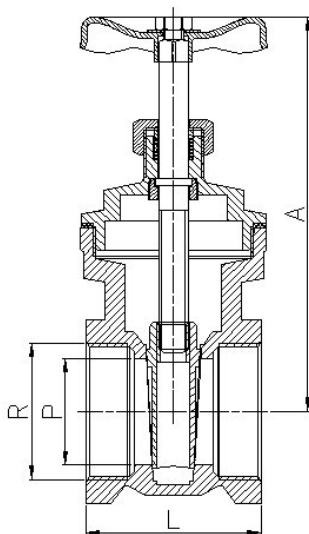
SPECIFICATIONS

1	Material: Brass
2	Threaded ends according to ANSI B 2.1
3	Suitable for hot and cold water, and oils
4	Max Temperature: Air -15°C to +100°C
5	Max Temperature: Water 0°C to +120°C
6	Can be mounted in any orientation



MATERIALS

1	Brass
2	Brass
3	Brass
4	Brass
5	Fibre
6	Brass
7	PTFE
8	Brass
9	Brass
10	Steel
11	Steel
12	Brass



DIMENSIONS

AVOL REF	SIZE	PN Bar	A mm	L mm	Wt Kg
3222 03	3/8"	10	60	32	0.16
3222 04	1/2"	10	62	39	0.16
3222 05	3/4"	10	63	41	0.20
3222 06	1"	10	75	48	0.30
3222 07	1 1/4"	10	94	52	0.44
3222 08	1 1/2"	10	100	52	0.58
3222 09	2"	10	120	59	0.95
3222 10	2 1/2"	16	155	60	1.76
3222 11	3"	16	190	75	2.17
3222 12	4"	16	230	85	4.17