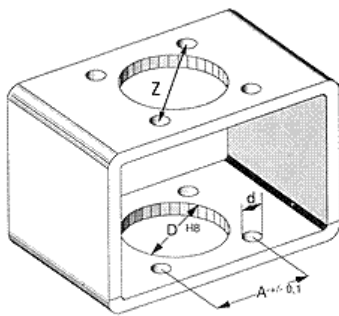




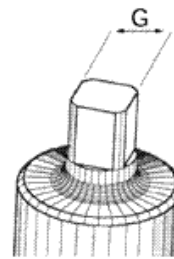
ISO 5211 AND DIN 3337 EXPLAINED

ISO:5211 defines the actuator mounting dimensions, and drive square size

DIN:3337 defines a 45° orientation of the *actuators'* square drive shaft.



Mounting Bracket



Drive Adaptor

| | ØD | A (± 0.1) | Ød (± 0.1) | ØZ (± 0.1) | No of bolts | Bolt Ø | G |
|------------|-----|-----------|------------|------------|-------------|--------|----|
| F03 | 25 | 25.5 | 5.5 | 36 | 4 | M5 | 9 |
| F04 | 30 | 29.7 | 5.5 | 42 | 4 | M5 | 11 |
| F05 | 35 | 35.4 | 6.5 | 50 | 4 | M6 | 14 |
| F07 | 55 | 49.5 | 8.5 | 70 | 4 | M8 | 17 |
| F10 | 70 | 72.1 | 10.5 | 102 | 4 | M10 | 22 |
| F12 | 85 | 88.4 | 12.5 | 125 | 4 | M12 | 27 |
| F14 | 100 | 99 | 17 | 140 | 4 | M16 | 36 |
| F16 | 130 | 116.7 | 21 | 165 | 4 | M20 | 46 |
| F25 | 200 | 254 | 17 | 254 | 8 | M16 | 55 |

**All dimensions in mm*