



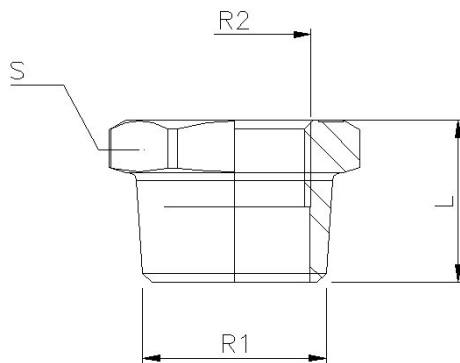
316 STAINLESS STEEL 150LB FITTINGS

GENEBRE PART: 0241 REDUCING BUSH BSP



SPECIFICATIONS

1	Material AISI 316 (cast)
2	Thread according to DIN 2999
3	Max working pressure 20 BAR (S-150)
4	Temperature range -20°C to + 220°C



REDUCING BUSH

REF	SIZE R1 mm	SIZE R2 mm	L mm
0241 0201	1/4"	1/8"	14.5
0241 0302	3/8"	1/4"	16.0
0241 0402	1/2"	1/4"	19.5
0241 0403	1/2"	3/8"	19.5
0241 0503	3/4"	3/8"	21.0
0241 0504	3/4"	1/2"	21.0
0241 0604	1"	1/2"	24.0
0241 0605	1"	3/4"	24.0
0241 0705	1 1/4"	3/4"	27.0
0241 0706	1 1/4"	1"	27.0
0241 0806	1 1/2"	1"	27.0
0241 0807	1 1/2"	1 1/4"	27.0
0241 0906	2"	1"	32.0
0241 0907	2"	1 1/4"	32.0
0241 0908	2"	1 1/2"	32.0
0241 1009	2 1/2"	2"	34.0
0241 1110	3"	2 1/2"	37.5